

## **Standard Specifications Waterworks Construction:**

### **Section 503.01.00 (15) and Sheet 61A Updates**

The City of Calgary is updating Section 503.01.00 (15) 'Service Line Couplings' and Sheet 61A: '50mm Flushing Assembly Type 'A'' in the 2025 Standard Specifications Waterworks Construction. The update provides new materials better suited for underground construction to ensure longevity and safety for operators.

The approved product list in Section 503.01.00 (15) will now include a new style of 'Restrained Coupling'. The current clause in Section 503.01.01:

#### **“(15) Service Line Couplings**

Manufacturers as listed for Main Stops and Service Valves”

is replaced with:

#### **“(15) Service Line Couplings**

##### **Inline Couplings:**

***Manufacturers as listed for Main Stops and Service Valves***

##### **Restrained Couplings:**

***Pack Joint by Mueller***

***Lead-Pak by Ford***

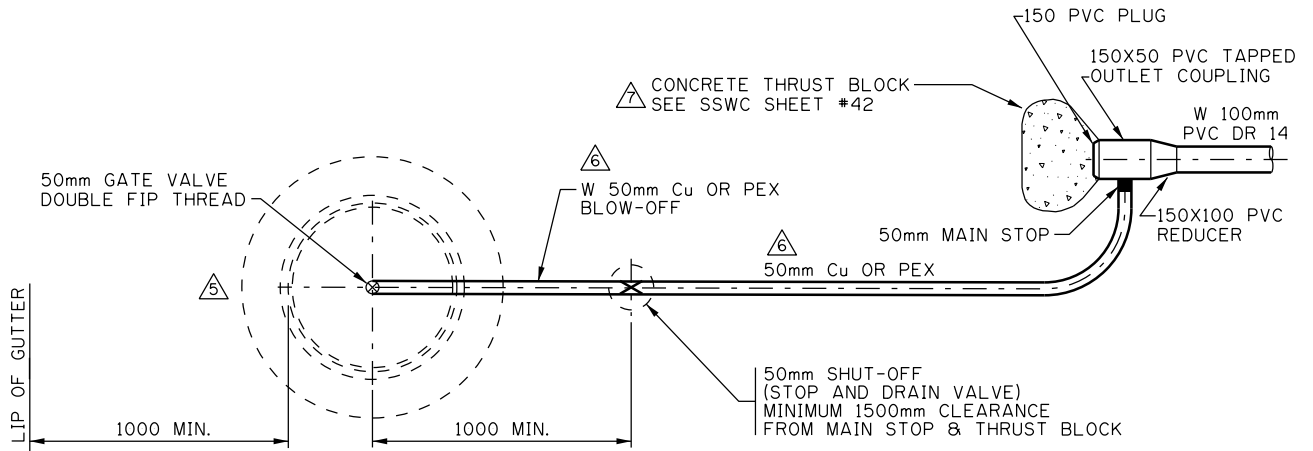
***CAMPAK by Cambridge Brass***

***or approved equal”***

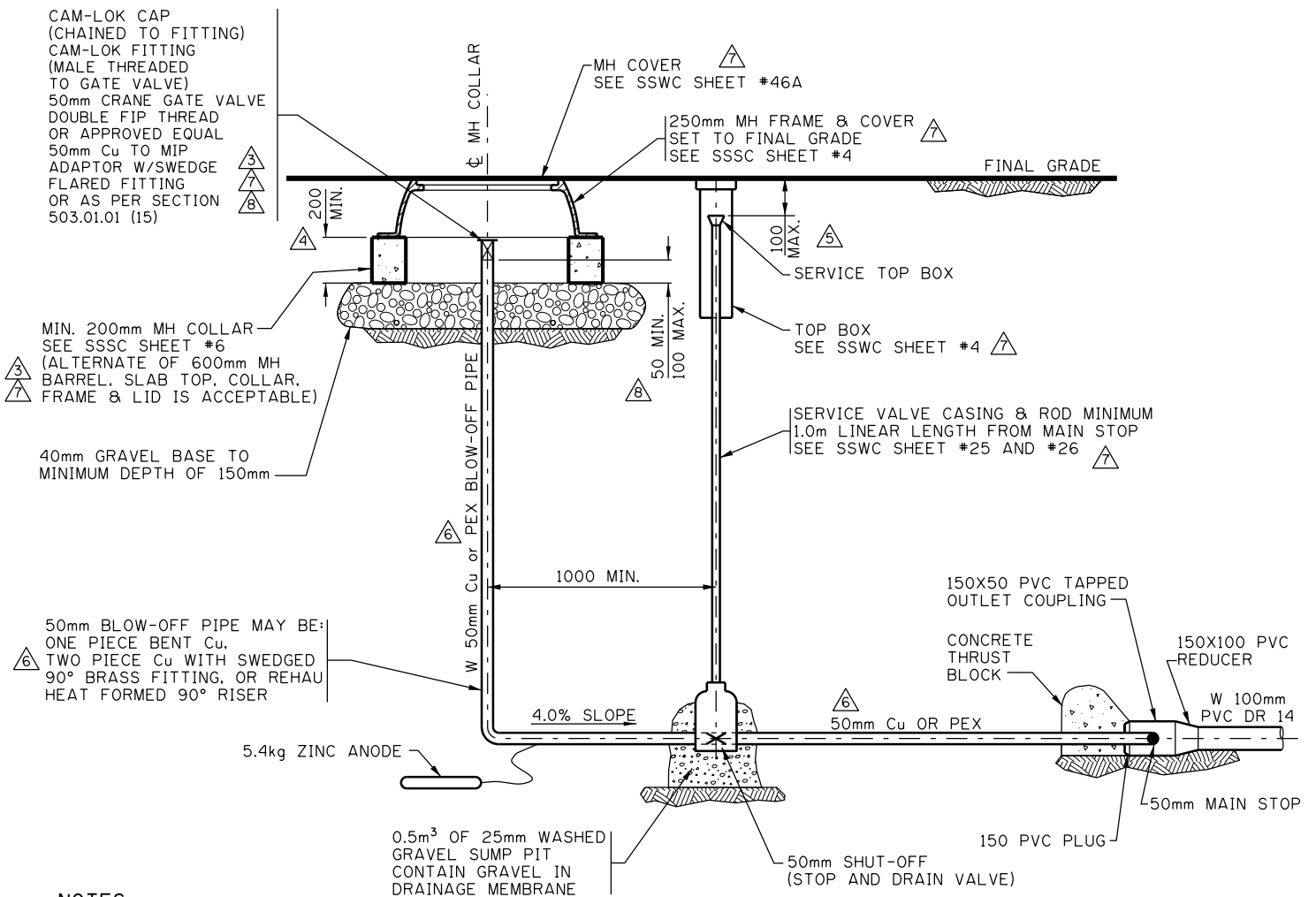
The current **Sheet 61A** is **removed and replaced** with the attached version. The update removes the 'Sharkbite' style coupling and references the new 'Restrained Coupling' approvals in Section 503.01.00 (15). It also sets a minimum and maximum limit that service pipe may extend above ground. Revisions are listed as #8 on the attached page.

Updates are effective immediately. The next version of the Waterworks Construction Standard Specifications will capture the changes.

Contact [StandardSpecifications@calgary.ca](mailto:StandardSpecifications@calgary.ca) for further information.



**PLAN**



**SECTION**

**NOTES:**

1. LENGTH OF Cu NOT TO EXCEED 6.0m.
2. POSITION OF DEVICE RELATIVE TO MAIN MAY VARY.
3. FLUSHING ASSEMBLY SHALL NOT CROSS SANITARY AND STORM MAINS.
4. ALL FITTINGS ON VERTICAL BLOWOFF PIPE SHALL BE SWEDGED OR THREADED.

DIMENSIONS ARE IN MILLIMETRES UNLESS OTHERWISE NOTED

No.	Date	Revision	App'd
8	2026/05/27	REVISED NOTE, ADDED DIMENSIONS	D.N.
7	2024/06/12	REVISED NOTES	D.N.
6	2019/09/05	REVISED TEXT & ADDED NOTE	B.N.
5	2017/01/10	ADDED NOTE, DIMENSION AND MODIFIED DETAIL	B.N.
4	2012/12/27	LOWER GRAVEL FILL & REVISE DIMENSION TO 200	B.N.
3	2008/01/02	REVISED TEXT & ADDED NOTE	B.N.

Date	2005/05/01
Scale	N.T.S
Approved by	<i>[Signature]</i>
for The City of Calgary	

WATERWORKS CONSTRUCTION

50mm FLUSHING ASSEMBLY TYPE 'A'

Sheet	61A
Eng Dwg No.	453.1043.001